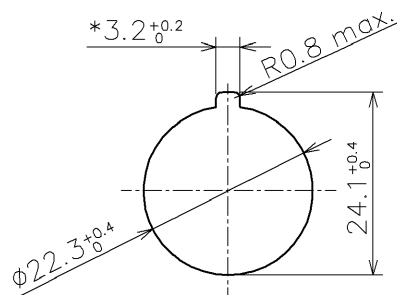
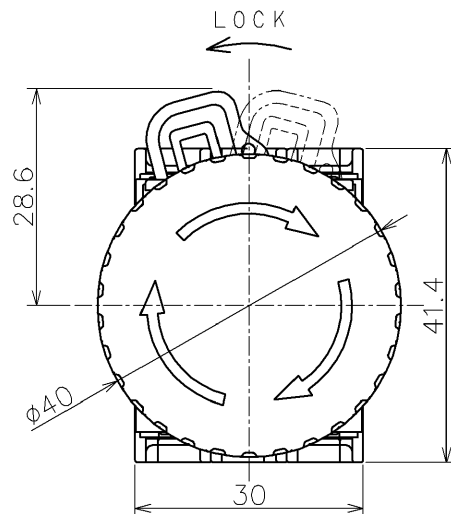
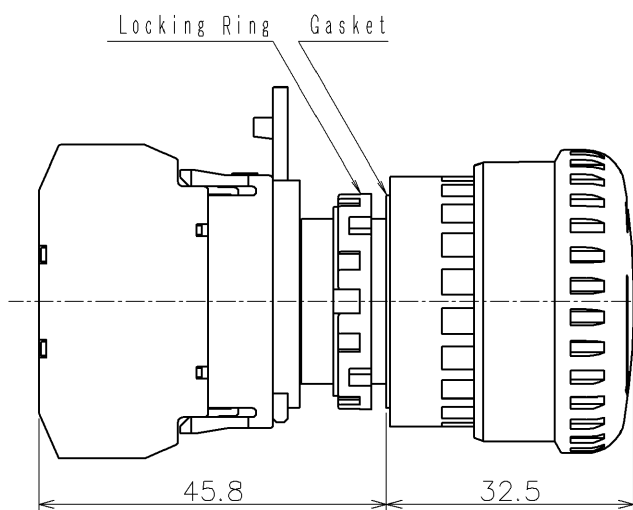
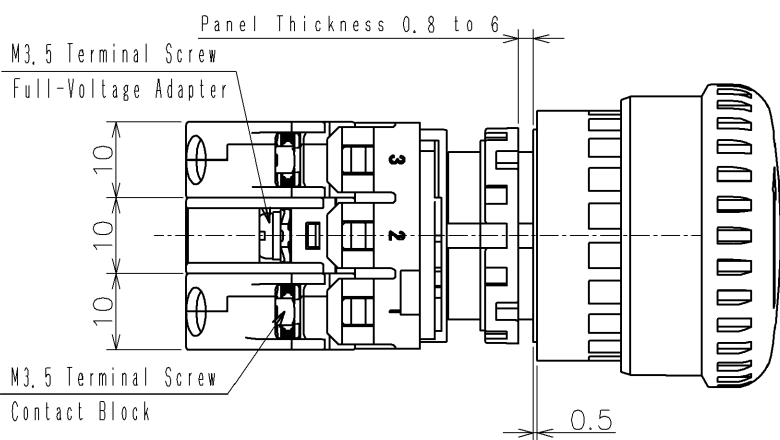


Operating Type : Pushlock Pull/Turn Reset
 Contact Arrangement (□□) : 1NC (01), 2NC (02), 1NO-1NC (11)
 Operating voltage (Δ) : Without lamp (0)
 LED : 6V AC/DC(2), 12V AC/DC(3), 24V AC/DC(4),
 110V AC/DC(H), 230/240V AC/DC(M3)
 Incandescent : 6V AC/DC(5), 12V AC/DC(6), 24V AC/DC(7)



Panel Cut-Out

*The 3.2 +0.2 recess is not necessary when neither nameplate nor anti-rotation ring is used.



			Product Name:	YW SERIES ILLUMINATED EMERGENCY STOP SWITCHES	
			Type Number:	YW1L-V4E□□QΔR	
Approved by	T.IWAMI	2022/12/20	Dim.:	m m	Outside View
Checked by	T.WATANABE	2022/12/20	Drawing No.	MA4-A04809C	
Drawn by	T.MATSUMOTO	2022/12/20			