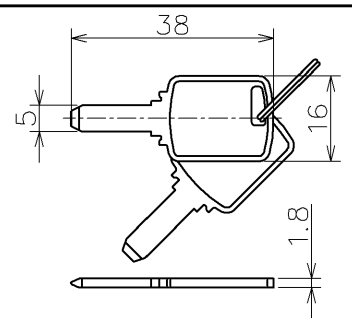
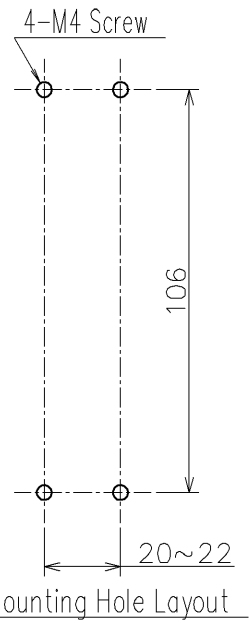


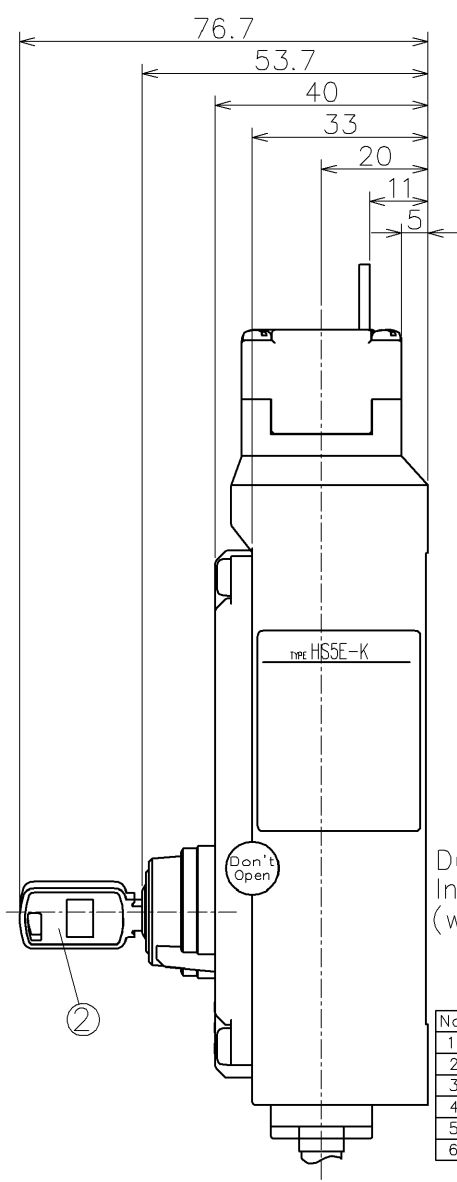
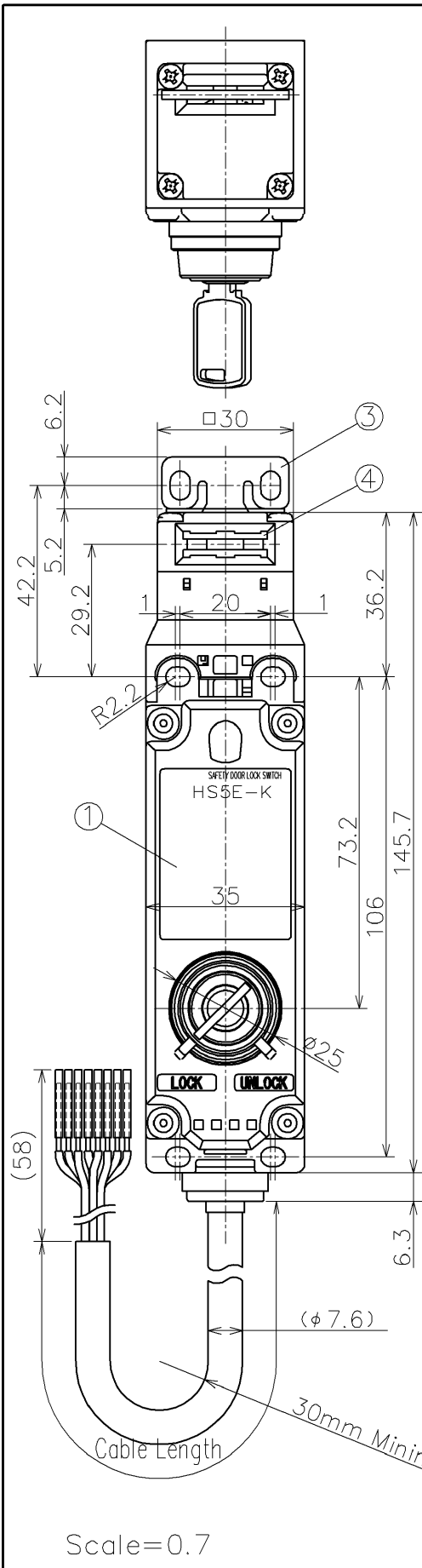
Code	Name
1	HS5E-K Interlock Switches
2	Operation Key
3	Actuator(option) (HS9Z-A51)
4	Slot Plug



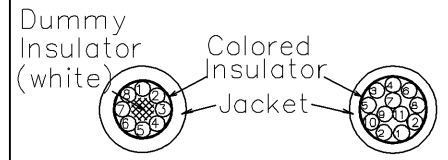
Operation Key(supplied)



Mounting Hole Layout



HS5E-DD HS5E-V



No.	Insulator Color	No.	Insulator Color
1	White	7	Blue / White
2	Black	8	Orange / White
3	Brown	9	Pink
4	Blue	10	Pink / White
5	Brown / White	11	Gray
6	Orange	12	Gray / White

Wiring

Contact Arrangement(◇□): VA,VD,DD
 Cable Length(**): 3m(O3),5m(O5)
 Key removal specifications(Δ):
 Removal in all positions(A),
 Removal at UNLOCK(B), Removal at LOCK(C)
 Key number(#): Standard Key 500(Blank),
 501~515

		Product Name: HS5E Series Interlock Switches	
		Type Number: HS5E-K◇□O**-2Δ#	
Approved by	S.Fujitani	2024/06/25	Dim.: mm Outside View
Checked by	T.Yasui	2024/06/25	
Drawn by	E.Watai	2024/06/25	
		Drawing No. MA4-E00341D	