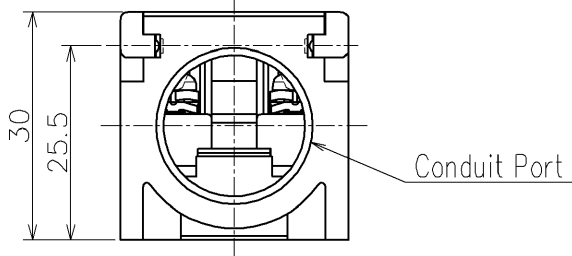
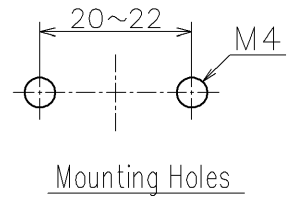
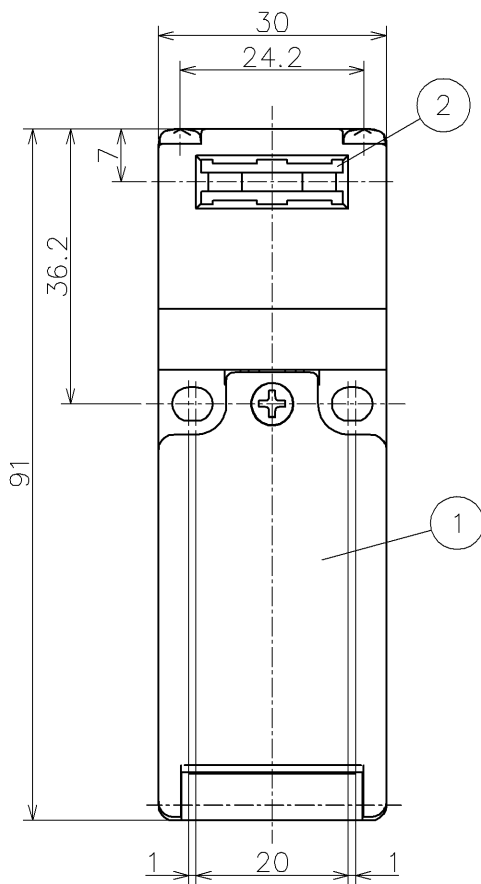


□□(Contact Arrangement): 11(1NO-1NC),02(2NC),
 12(1NO-2NC),03(3NC)
 Δ(Head Material): Blank(Plastic),Z(Metal)
 ※(Conduit Size): Blank (G1/2),M(M20),P(PG13.5)
 Head Color/Housing Color: Red/Gray



No.	Parts Name
1	HS5D Safety Switch
2	Slot Plug
3	HS9Z-A52(Optional)

			Product Name: HS5D SAFETY SWITCH	
			Type Number: HS5D-□□ΔRN※	
Approved by	S.Fujitani	2024/06/25	Dim.: mm	Outside View
Checked by	T.Yasui	2024/06/25	Drawing No.	
Drawn by	E.Watai	2024/06/25	MA4-E00317B	