

AGA Series Control Stations (Multiple Column)

IP65 Waterproof Multiple Column Aluminum Control Stations Versatile Combinations of Switches/Pilot Lights

The AGA multiple column control stations are designed for mounting various models of switches/pilot lights in various combinations. Standard control stations are available with predetermined specifications of cable lead-in holes and the switches/pilot lights to be mounted (contact configurations, voltage, button colors, and nameplates).

- Versatile combinations of switches/pilot lights are possible. Select from a wide variety of 30 mm (1-13/64 inch) dia. switches/pilot lights.
- The lid of the enclosure is hinged to make wiring and maintenance easy.



Specifications

Model	AGA480 / AGA580	AGA680 / AGA690
Degree of Protection (*1)	IP65 (IEC60529)	
Material (Enclosure)	Aluminum alloy die-cast	
Coating Color (Melamine coating)	Yellow semi-gloss (Munsell 5Y7/1, outside only)	
Rated Insulation Voltage	600V (Buzzer: 250V)	
Insulation Resistance	5 MΩ minimum	
Dielectric Strength (*2)	Between live and dead parts: 2500V AC, 1 minute	
Standard Operating Conditions (*3)	Ambient temperature: -25 to +50°C (no freezing) Relative humidity: 45 to 85% (no condensation)	
Enclosure Style	Wall mount/pole mount (4 × 2 or 5 × 2 holes)	Wall mount/pole mount (6 × 2 or 6 × 3 holes)
Cable Lead-in (Wall Mount)	Entrance hub (Gland hub also available) HNA33 G1 (28 mm)	
Applicable Switches/Pilot Lights	IDEC ø30 mm series, AZ buzzer and AM ammeter (except enclosed type units)	

*1) The degree of protection depends on the switches/pilot lights mounted on the enclosure.

*2) AM ammeter/buzzer: 2000V AC, 1 minute

*3) Buzzer: -10 to +40°C

Contact Ratings (Contact Block)

Contact block	Rated Insulation Voltage	600V
	Rated Thermal Current	10A
	Contact Ratings by Utilization Category IEC60947-5-1	AC-15 (A600) DC-13

Operational Voltage and Current by Utilization Category

Operational Voltage		24V	48V	50V	110V	220V	440V
Operational Current	AC (50/60Hz)						
	AC-12 Control of resistive loads and solid state loads	10A	—	10A	10A	6A	2A
	AC-15 Control of electromagnetic loads (>72VA)	10A	—	7A	5A	3A	1A
DC	DC-12 Control of resistive loads and solid state loads	10A	5A	—	2.2A	1.1A	—
	DC-13 Control of electromagnets	5A	2A	—	1.1A	0.6A	—

Common

Minimum applicable load (reference) = 3V AC/DC, 5mA (the applicable range is subject to change according to the operating conditions)

Switch/Pilot Light Mounting Holes

The holes for mounting switches/pilot lights are 30.5 mm in diameter with an anti-rotation notch. Mounting centers are 50 mm.

Lead-in Fittings (Wall Mount)

An entrance hub made of aluminum is supplied for connecting a steel conduit to lead in cables.

AGA480 (4 × 2 holes), AGA580 (5 × 2 holes):

With two HNA33 G1 for 28 mm conduit

(Available with one HNA33, upon request)

AGA680 (6 × 2 holes): With two HNA33 G1 for 28 mm conduit

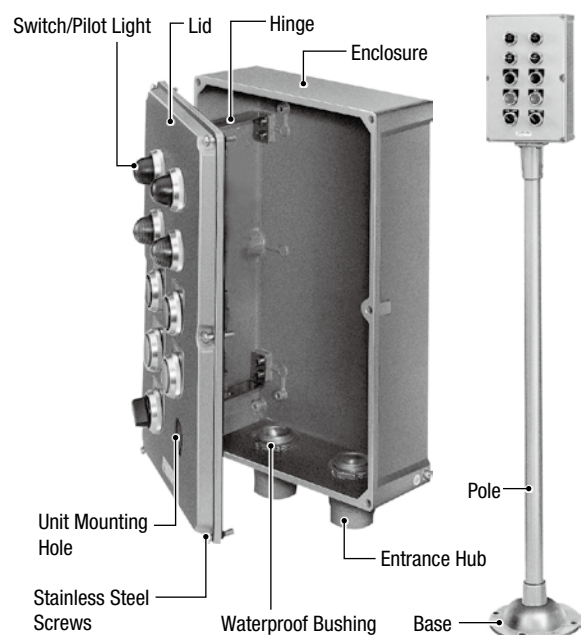
AGA690 (6 × 3 holes): With three HNA33 G1 for 28 mm conduit

Gland hubs for lead in cables are also available.

Lead-in fitting cannot be removed.

Stand Pole (Pole Mount)


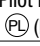
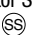

The pole is made of carbon steel pipe, and the base is made of cast iron. The coating color is the same as the enclosure, yellow (semi-gloss).



Control Stations with Switches/Pilot Lights

Control stations are available with selected combination of switches/pilot lights as listed below. For the dimensions and mounting centers, see the figures below and on page 20.

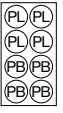

Switches/Pilot Lights Mounted in Control Stations

Switch/Pilot Light	Part No.	Specifications
Pushbutton 	ABN111 *	Flush, 1NO-1NC
Pilot Light 	APN126DN *	Dome, 200/220V AC (2W)
Selector Switch 	ASN211N	Knob, 2-position, 1NO-1NC
Meter 	AM ammeter (See page 38)	Specify capacity (Part No.) Coating color of the meter bezel: N1.5

Note: Specify a button or lens color code in place of *:
 Pushbutton: B (black), R (red)
 Pilot Light: G (green), R (red)

AGA480 Control Box (Wall Mount/Pole Mount)


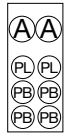
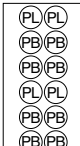
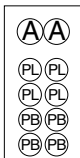
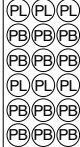
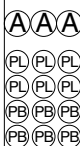
Package Quantity: 1

Control Box		Mounted Switches/Pilot Lights		
Style	Part No.	Symbol	Part No.	NA Nameplate Legend
4 × 2 holes	Wall Mount AGA4801YB		APN126DNR	Without nameplate
	Pole Mount AGA4801SYB		APN126DNG ABN111B ABN111R	Without nameplate ON OFF
	Wall Mount AGAM4801YB		AM ammeter ^(*1)	Without nameplate
	Pole Mount AGAM4801SYB		ABN111B ABN111R	ON OFF

*1) Specify the Part No. of the meter to select a required capacity.
 • Control stations with a shade are available. See page 20 for more details.

AGA580/AGA690 Control Box (Wall Mount/Pole Mount)

Package Quantity: 1

Control Box		Mounted Switches/Pilot Lights		
Style	Part No.	Symbol	Part No.	NA Nameplate Legend
5 × 2 holes	Wall Mount AGA5801YB		APN126DNR APN126DNG ABN111B ABN111R	Without nameplate Without nameplate ON OFF HAND-AUTO
	Pole Mount AGA5801SYB		ASN211N	
	Wall Mount AGAM5801YB		AM ammeter ^(*1)	Without nameplate
	Pole Mount AGAM5801SYB		APN126DNR ABN111B ABN111R	Without nameplate ON OFF
6 × 2 holes	Wall Mount AGA6801YB		APN126DNR ABN111B ABN111R	Without nameplate ON OFF
	Pole Mount AGA6801SYB		APN126DNR ABN111B ABN111R	Without nameplate ON OFF
	Wall Mount AGAM6801YB		AM ammeter ^(*1)	Without nameplate
	Pole Mount AGAM6801SYB		APN126DNR APN126DNG ABN111B ABN111R	Without nameplate Without nameplate ON OFF
6 × 3 holes	Wall Mount AGA6901YB		APN126DNR ABN111B ABN111R	Without nameplate ON OFF
	Pole Mount AGA6901SYB		APN126DNR ABN111B ABN111R	Without nameplate ON OFF
	Wall Mount AGAM6901YB		AM ammeter ^(*1)	Without nameplate
	Pole Mount AGAM6901SYB		APN126DNR APN126DNG ABN111B ABN111R	Without nameplate Without nameplate ON OFF

Empty Enclosures

Package Quantity: 1

Style	4 holes		5 holes			6 holes			
Part No.	AGA481Y	AGA482Y	AGA580Y	AGA581Y	AGA582Y	AGA681Y	AGA682Y	AGA690Y	AGA691Y
Shape									
Weight (Approx.)	2.6 kg					6.8 kg			
<ul style="list-style-type: none"> • Switch/Pilot Light Mounting Holes • Effective Depth inside the Enclosure (4 or 5 x 2 holes) (6 x 2 or 3 holes) 									
<p>(Meter Mounting Hole)</p>			<p>Front</p>			<p>Front</p>			
All dimensions in mm.									

Note: Entrance hubs HNA33YG G1 for 28mm conduit are supplied as standard. The quantity is as shown in the figure above.

• In addition to the enclosures shown above, enclosures with a shade and pole mount enclosures are also available. See page 20 for more details.

Other Enclosures

Package Quantity: 1

Style				4 or 5 × 2 holes				
	Hubs	Shade	Pole					
Part No.	X	X		AGA481KY	AGA482KY	AGA580KY	AGA581KY	AGA582KY
			X	AGA481SY	AGA482SY	AGA580SY	AGA581SY	AGA582SY
		X	X	AGA481KSY	AGA482KSY	AGA580KSY	AGA581KSY	AGA582KSY
Shape								
Weight (Approx.)	With a shade			3.1 kg	3.1 kg	3.1 kg	3.1 kg	3.1 kg
	Pole mount			8.0 kg	8.0 kg	8.0 kg	8.0 kg	8.0 kg
	Pole mount with a shade			8.4 kg	8.4 kg	8.4 kg	8.4 kg	8.4 kg

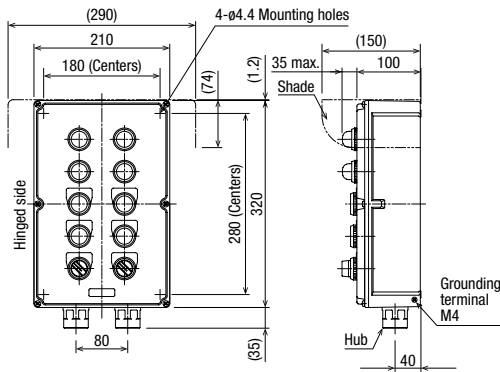
Style				6 × 2 or 3 holes				
	Hubs	Shade	Pole					
Part No.	X	X		AGA681KY	AGA682KY	AGA690KY	AGA691KY	—
			X	AGA681SY	AGA682SY	AGA690SY	AGA691SY	—
		X	X	AGA681KSY	AGA682KSY	AGA690KSY	AGA691KSY	—
Shape								
Weight (Approx.)	With a shade			7.6 kg	7.6 kg	7.6 kg	7.6 kg	—
	Pole mount			13.0 kg	13.0 kg	13.0 kg	13.0 kg	—
	Pole mount with a shade			13.7 kg	13.7 kg	13.7 kg	13.7 kg	—

• For more details about enclosures without switches/pilot lights, see page 19.

All dimensions in mm.

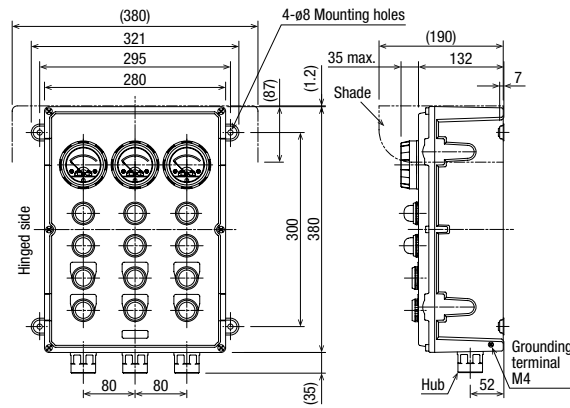
Dimensions

AGA480/AGA580 (Wall Mount)



Weight: Approx. 4.8 kg

AGA680/AGA690 (Wall Mount)



Weight: Approx. 10.5 kg

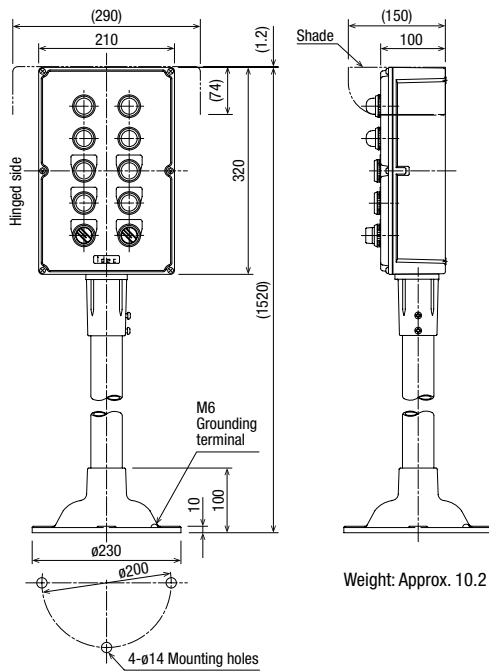
Entrance Hub (supplied)

HNA33 G1 for 28 mm conduit
 2 column:
 2 entrance hubs attached
 3 column:
 3 entrance hubs attached
 Gland hubs for leading in cables are also available.

Part No.	Applicable Cable Diameter (R)
HNG31	8, 10, 12
HNG32	13, 15, 17
HNG33 (or HNA33)	18, 20, 22

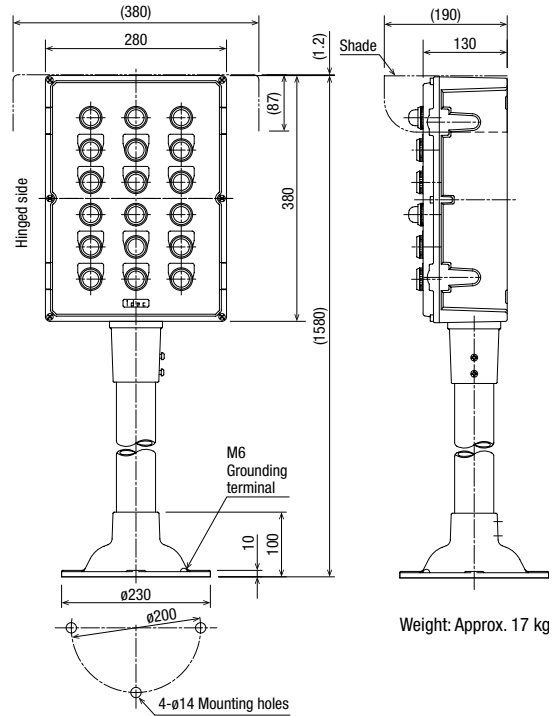
• See page 39 for details.

AGA480/AGA580 (Pole Mount)



Weight: Approx. 10.2 kg

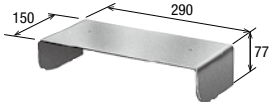
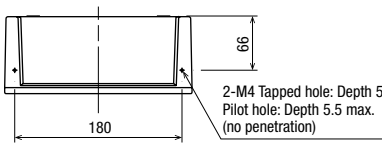
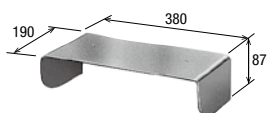
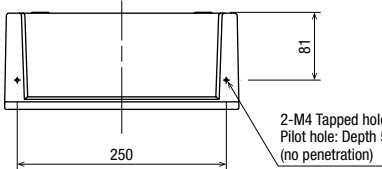
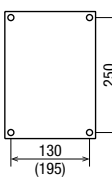

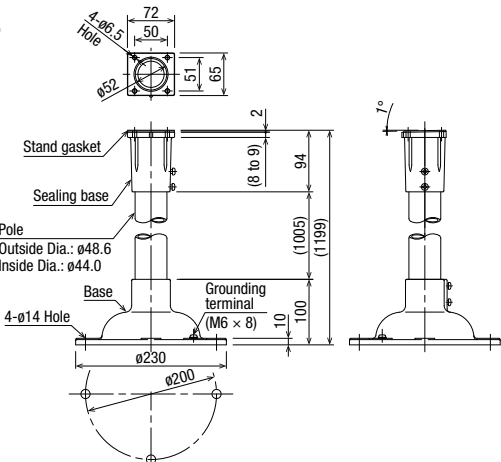

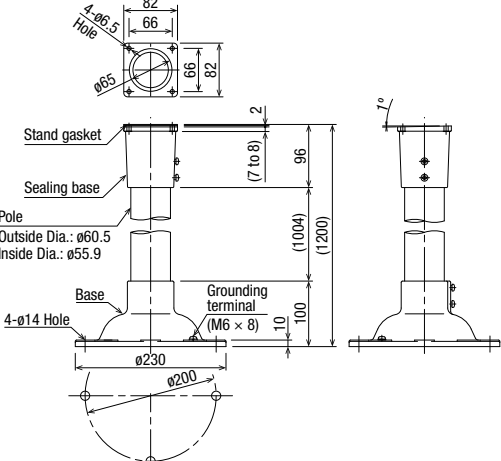
AGA680/AGA690 (Pole Mount)



Weight: Approx. 17 kg

Accessory (Options)

Package Quantity: 1

Name & Shape	Part No.	Description & Dimensions
<p>Enclosure Shade</p>  <p>For AGA480/AGA580 Material: Carbon steel plate Thickness: 1 mm Weight: Approx. 0.46 kg</p>	<p>AGZ-S2Y</p>	<ul style="list-style-type: none"> Used on AGA480/AGA580 enclosures as a protection for the switches/pilot lights against direct sunlight and falling objects. Color: 5Y7/1 (semi-gloss) Shade mounting hole 
<p>Enclosure Shade</p>  <p>For AGA680/AGA690 Material: Carbon steel plate Thickness: 1 mm Weight: Approx. 0.72 kg</p>	<p>AGZ-S3Y</p>	<ul style="list-style-type: none"> Used on AGA680/AGA690 control boxes as a protection for the switches/pilot lights against direct sunlight and falling objects. Color: 5Y7/1 (semi-gloss) Shade mounting hole 
<p>Internal Plate</p>  <p>Dimensions in () for AGA690 control box</p> <p>Material: Carbon steel plate (Zinc-plated) Thickness: 2.3 mm Weight: AGZ-P2: Approx. 0.59 kg AGZ-P3: Approx. 1.05 kg</p>	<p>AGZ-P2 (For AGA480/AGA580)</p> <p>AGZ-P3 (For AGA680/AGA690)</p>	<ul style="list-style-type: none"> Used to mount terminal blocks, relays, timers, and other units for internal wiring.
<p>Stand Pole</p>  <p>Weight: Approx. 5.6 kg</p>	<p>AGZ-S205 (For AGA480/AGA580)</p>	<ul style="list-style-type: none"> For maintenance of the pole. Color: 5Y7/1 (semi-gloss) <p>AGZ-S205</p> 
<p>Stand Pole</p>  <p>Weight: Approx. 6.5 kg</p>	<p>AGZ-S206 (For AGA680/AGA690)</p>	<p>AGZ-S206</p>  <p>All dimensions in mm.</p>

Instructions

Precautions for Mounting AGA480/AGA580 Control Stations on Panel

1. Insert M4 screws into the waterproof bushings at all four corners inside the box. Push the screws with a screwdriver and penetrate the bushings (Figure 1).
2. Thrust the screws into panel holes and secure the screws with nuts (Figure 2).

Waterproof characteristics are not affected by piecing the bushings with screws.

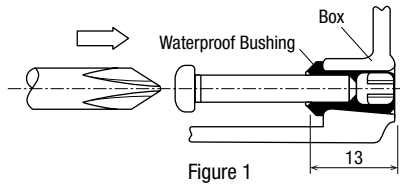


Figure 1

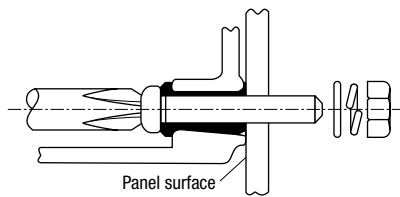


Figure 2

Ordering Information

When ordering control stations with switches/pilot lights (standard):
Specify the Part No. of the control station.

When ordering enclosures without switches/pilot lights:

Specify the following items.

1. Part No. of the enclosure
2. Part No. and specifications of the switches/pilot lights to be mounted (lens color, button color, etc.)
3. Nameplate
4. Lead-in fitting
Only when ordering the gland hub for leading in cables, specify the Part No. and the cable outside diameter. (R).
5. Other specifications

Ordering Example

	Part No. of Enclosure	AGA581Y	
	Switch/Pilot Light and Nameplate	① ②	APN126DNR
		③ ④	APN126DNG
		⑤ ⑥	ABN210B, with NA-1
		⑦ ⑧	ABN201R, with NA-2
⑨ ⑩	ASN211N, with NA-32		
Lead-in Fitting	①	HNAG33 R18	

Note: Any ø30 mm TWN/TWND series switches/pilot lights are selectable.
Take into consideration the degree of protection of the switch/pilot light and the effective depth of the enclosure.

Ordering Terms and Conditions

Thank you for using IDEC Products.

By purchasing products listed in our catalogs, datasheets, and the like (hereinafter referred to as "Catalogs") you agree to be bound by these terms and conditions. Please read and agree to the terms and conditions before placing your order.

1. Notes on contents of Catalogs

- (1) Rated values, performance values, and specification values of IDEC products listed in this Catalog are values acquired under respective conditions in independent testing, and do not guarantee values gained in combined conditions.
Also, durability varies depending on the usage environment and usage conditions.
- (2) Reference data and reference values listed in Catalogs are for reference purposes only, and do not guarantee that the product will always operate appropriately in that range.
- (3) The specifications / appearance and accessories of IDEC products listed in Catalogs are subject to change or termination of sales without notice, for improvement or other reasons.
- (4) The content of Catalogs is subject to change without notice.

2. Note on applications

- (1) If using IDEC products in combination with other products, confirm the applicable laws / regulations and standards.
Also, confirm that IDEC products are compatible with your systems, machines, devices, and the like by using under the actual conditions. IDEC shall bear no liability whatsoever regarding the compatibility with IDEC products.
- (2) The usage examples and application examples listed in Catalogs are for reference purposes only. Therefore, when introducing a product, confirm the performance and safety of the instruments, devices, and the like before use. Furthermore, regarding these examples, IDEC does not grant license to use IDEC products to you, and IDEC offers no warranties regarding the ownership of intellectual property rights or non-infringement upon the intellectual property rights of third parties.
- (3) When using IDEC products, be cautious when implementing the following.
 - i. Use of IDEC products with sufficient allowance for rating and performance
 - ii. Safety design, including redundant design and malfunction prevention design that prevents other danger and damage even in the event that an IDEC product fails
 - iii. Wiring and installation that ensures the IDEC product used in your system, machine, device, or the like can perform and function according to its specifications
- (4) Continuing to use an IDEC product even after the performance has deteriorated can result in abnormal heat, smoke, fires, and the like due to insulation deterioration or the like. Perform periodic maintenance for IDEC products and the systems, machines, devices, and the like in which they are used.
- (5) IDEC products are developed and manufactured as general-purpose products for general industrial products. They are not intended for use in the following applications, and in the event that you use an IDEC product for these applications, unless otherwise agreed upon between you and IDEC, IDEC shall provide no guarantees whatsoever regarding IDEC products.
 - i. Use in applications that require a high degree of safety, including nuclear power control equipment, transportation equipment (railroads / airplanes / ships / vehicles / vehicle instruments, etc.), equipment for use in outer space, elevating equipment, medical instruments, safety devices, or any other equipment, instruments, or the like that could endanger life or human health
 - ii. Use in applications that require a high degree of reliability, such as provision systems for gas / waterworks / electricity, etc., systems that operate continuously for 24 hours, and settlement systems
 - iii. Use in applications where the product may be handled or used deviating from the specifications or conditions / environment listed in the Catalogs, such as equipment used outdoors or applications in environments subject to chemical pollution or electromagnetic interference
If you would like to use IDEC products in the above applications, be sure to consult with an IDEC sales representative.

3. Inspections

We ask that you implement inspections for IDEC products you purchase without delay, as well as thoroughly keep in mind management/maintenance regarding handling of the product before and during the inspection.

4. Warranty

- (1) Warranty period
The warranty period for IDEC products shall be one (1) year after purchase or delivery to the specified location. However, this shall not apply in cases where there is a different specification in the Catalogs or there is another agreement in place between you and IDEC.
- (2) Warranty scope
Should a failure occur in an IDEC product during the above warranty period for reasons attributable to IDEC, then IDEC shall replace or repair that product, free of charge, at the purchase location / delivery location of the product, or an IDEC service base. However, failures caused by the following reasons shall be deemed outside the scope of this warranty.
 - i. The product was handled or used deviating from the conditions / environment listed in the Catalogs
 - ii. The failure was caused by reasons other than an IDEC product
 - iii. Modification or repair was performed by a party other than IDEC
 - iv. The failure was caused by a software program of a party other than IDEC
 - v. The product was used outside of its original purpose
 - vi. Replacement of maintenance parts, installation of accessories, or the like was not performed properly in accordance with the user's manual and Catalogs
 - vii. The failure could not have been predicted with the scientific and technical standards at the time when the product was shipped from IDEC
 - viii. The failure was due to other causes not attributable to IDEC (including cases of force majeure such as natural disasters and other disasters)Furthermore, the warranty described here refers to a warranty on the IDEC product as a unit, and damages induced by the failure of an IDEC product are excluded from this warranty.

5. Limitation of liability

The warranty listed in this Agreement is the full and complete warranty for IDEC products, and IDEC shall bear no liability whatsoever regarding special damages, indirect damages, incidental damages, or passive damages that occurred due to an IDEC product.

6. Service scope

The prices of IDEC products do not include the cost of services, such as dispatching technicians. Therefore, separate fees are required in the following cases.

- (1) Instructions for installation / adjustment and accompaniment at test operation (including creating application software and testing operation, etc.)
- (2) Maintenance inspections, adjustments, and repairs
- (3) Technical instructions and technical training
- (4) Product tests or inspections specified by you

The above content assumes transactions and usage within your region. Please consult with an IDEC sales representative regarding transactions and usage outside of your region. Also, IDEC provides no guarantees whatsoever regarding IDEC products sold outside your region.

IDEC CORPORATION

Head Office 6-64, Nishi-Miyahara-2-Chome, Yodogawa-ku, Osaka 532-0004, Japan

 www.idec.com

USA IDEC Corporation
EMEA APEM SAS

Singapore IDEC Izumi Asia Pte. Ltd.
Thailand IDEC Asia (Thailand) Co., Ltd.
India IDEC Controls India Private Ltd.

China IDEC (Shanghai) Corporation
IDEC Izumi (H.K.) Co., Ltd.
Taiwan IDEC Taiwan Corporation

Japan IDEC Corporation

Specifications and other descriptions in this brochure are subject to change without notice.

2022 IDEC Corporation, All Rights Reserved.

