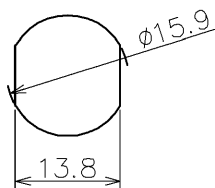
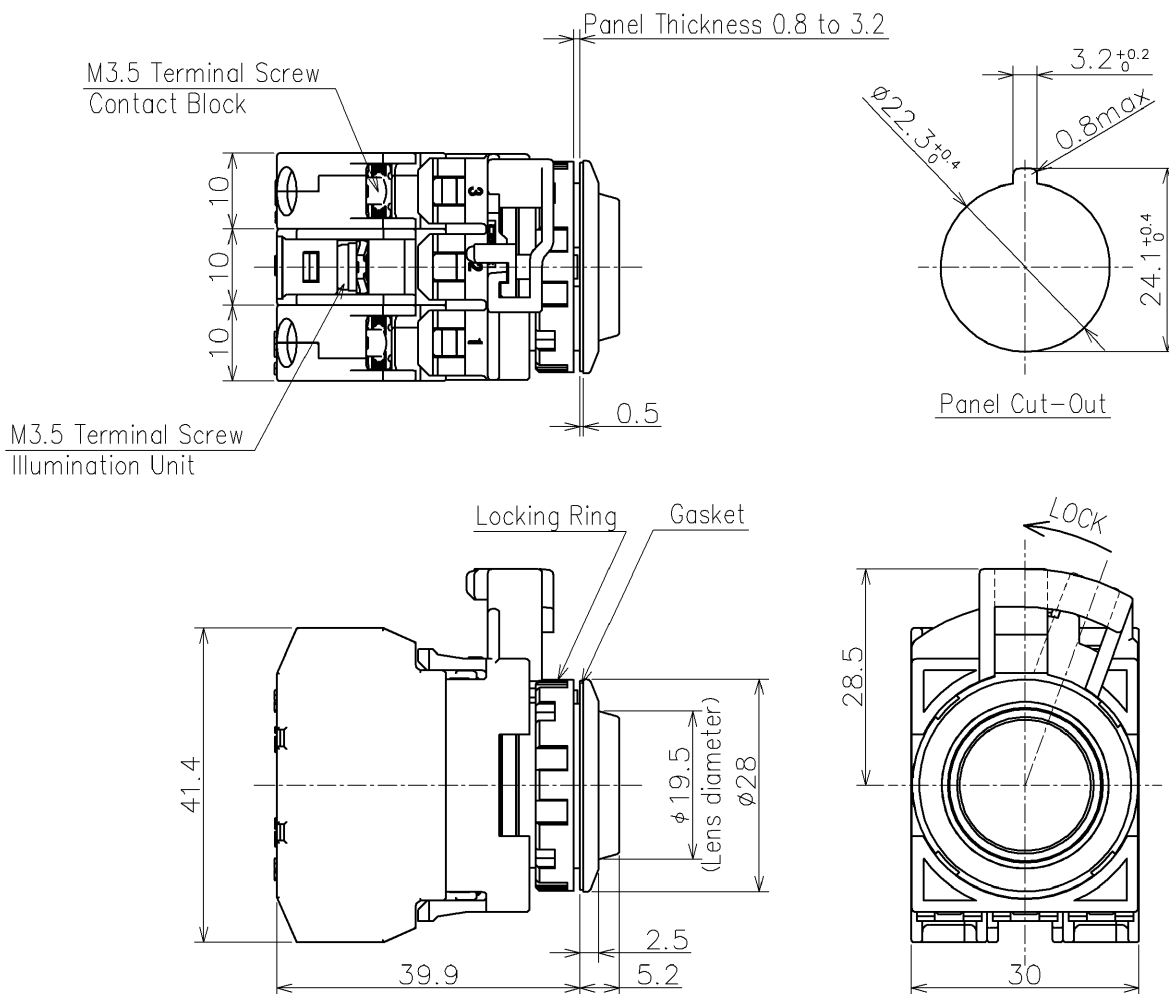


Bezel Color (◇) :	Black (1) , Metallic (4)
Contact Arrangement (□□) :	1NO (10) , 1NC (01) , 1NO-1NC (11) , 2NO (20) , 2NC (02)
LED Operating Voltage (▽) :	6V AC/DC (2) , 12V AC/DC (3) , 24V AC/DC (4) , 100/120V AC (H) , 200/220V AC (M) , 230/240V AC (M4)
Illumination Color (※) :	Red (R) , Green (G) , Amber (A) , Yellow (Y) Blue (S) , Pure White (PW)



Thickness : 0.2 mm maximum  
 Film material : Polyester (recommended)  
 Note : Film is not supplied and must be prepared by the user.

Applicable Marking Film Size



			Product Name:	CW SERIES ILLUMINATED PUSHBUTTONS	
			Type Number:	CW◇L-M2E□□Q▽※	
Approved by	M.FUJIMOTO	2023/8/30	Dim.:	mm	Outside View
Checked by	Y.HANAOKA	2023/8/30	Drawing No. MA4-A04828C		
Drawn by	F.TAKAI	2023/8/30			