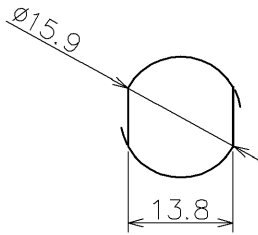


Bezel Color (◇) : Black (1) , Metallic (4)

Contact Arrangement (□□) : 1NO (10) , 1NC (01) , 1NO-1NC (11) ,  
2NO (20) , 2NC (02)

LED Operating Voltage (▽) : 6V AC/DC (2) , 12V AC/DC (3) ,  
24V AC/DC (4) , 100/120V AC (H) ,  
200/220V AC (M) , 230/240V AC (M4)

Illumination Color (※) : Red (R) , Green (G) , Amber (A) , Yellow (Y)  
Blue (S) , Pure White (PW)

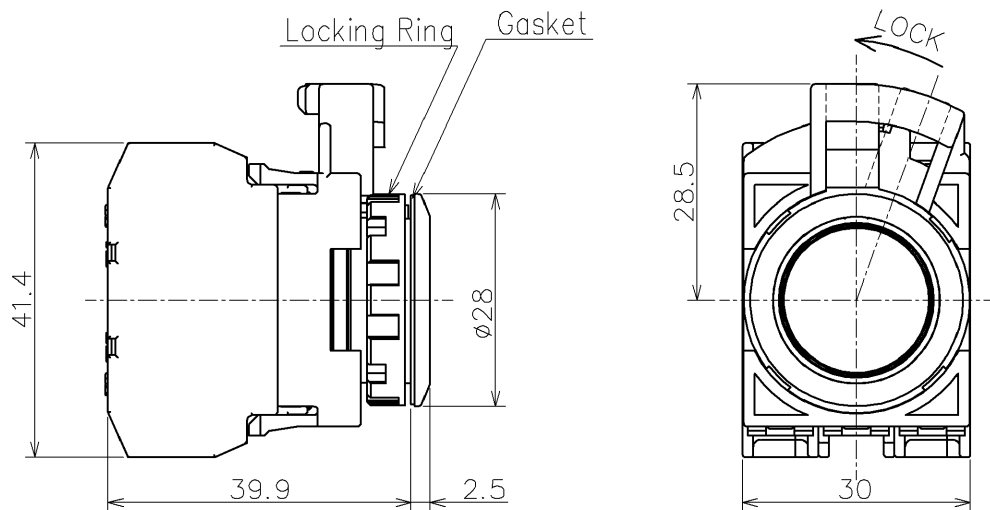
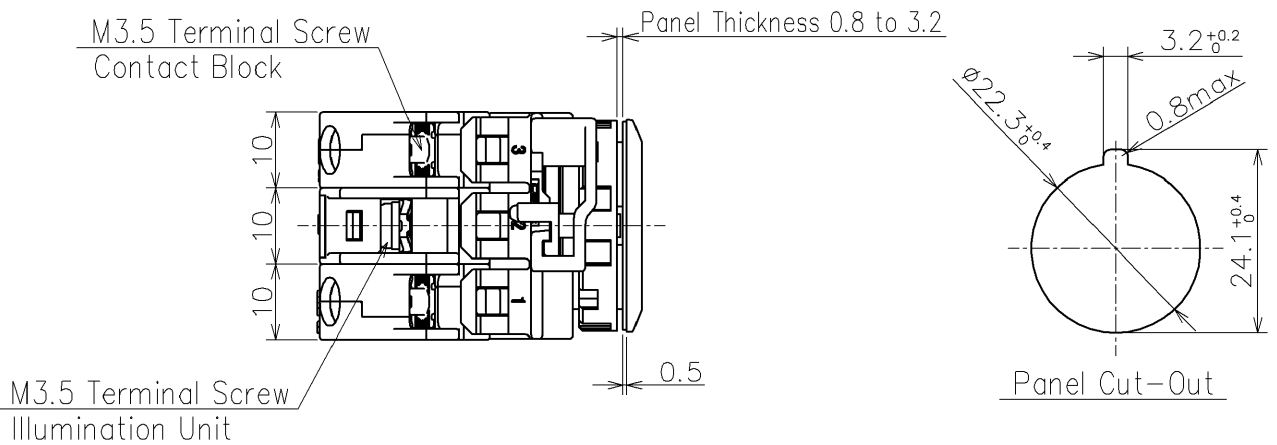


Thickness : 0.2 mm maximum

Film material : Polyester (recommended)

Note : Film is not supplied and must be prepared by the user.

Applicable Marking Film Size



			Product Name: CW SERIES ILLUMINATED PUSHBUTTONS
			Type Number: CW◇L-M1E□□Q▽※
Approved by	M.FUJIMOTO	2023/8/30	Dim.: mm
Checked by	Y.HANAOKA	2023/8/30	
Drawn by	F.TAKAI	2023/8/30	Drawing No. MA4-A04827B