

INSTRUCTION SHEET

Plug Actuator For HS5 Safety Switches HS5 Series

Confirm that the delivered product is what you have ordered. Read this instruction sheet to make sure of correct operation. Make sure that the instruction sheet is kept by the end user.

Safety Precautions

In this operation instruction sheet, safety precautions are categorized in order of importance to Warning :

WARNING

Warning notices are used to emphasize that improper operation may cause severe personal injury or death.

1 Type

HS9Z-A5P

2 Specifications

Applicable model	HS5D/HS5E/HS5L safety switch
Weight (approximately)	35g

• Refer to the specifications of the HS5D/HS5E/HS5L safety switch for the specifications of the safety switch used.

3 Precautions for Operation

WARNING

• When using the HS9Z-A5P for safety-related equipment in a control system, refer to the safety standards and regulations in each country and region depending on the application purpose of the actual machines and installations to make sure of correct operation. Also, perform risk assessment to make sure of safety before starting operation.

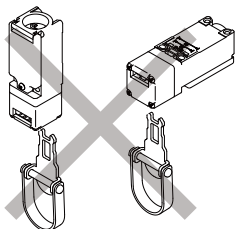
• Read the instruction sheet of the safety switch used.

• Note the projections on the HS9Z-A5P when using to prevent injury.

• Regardless of door types, do not use the HS9Z-A5P as a door lock. Install a separate lock such as a metal hook.

• When the direction to insert the HS9Z-A5P into the safety switch is different from the opening/closing direction of the door, do not open the door while the HS9Z-A5P is inserted into the safety switch.

• Do not insert the HS9Z-A5P from the lower side as shown in the following figure. Otherwise the HS9Z-A5P may fall because of vibration.



- The HS9Z-A5P is used for HS5D/HS5E/HS5L safety switch only. Do not use the HS9Z-A5P for other products.
- Do not ruin functions of the HS9Z-A5P by modifying or disassembling.

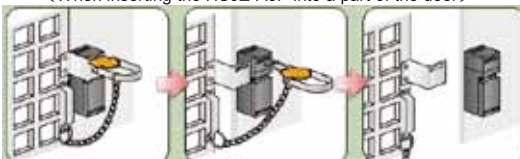
<When fastening the HS9Z-A5P to the door with a chain>



WARNING

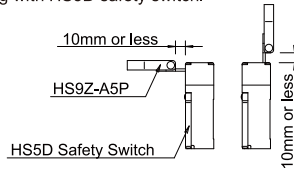
- Connect the chain to the handle of the HS9Z-A5P and the door firmly.
- Use a chain which has a welded joint and does not break apart easily. Stop using as an interlock device when the chain is broken.
- Give a proper slack to the chain, and do not apply excessive force to the HS9Z-A5P. Determine a proper length of the chain so that the door does not open wide and that the danger zone is not accessed by the worker.
- Refer to the following standard for the safety distances and the safety gaps.
ISO13852
(Safety distances to prevent danger zones being reached by the upper limbs.)
ISO13853
(Safety distances to prevent danger zones being reached by the lower limbs.)
ISO13854
(Minimum gaps to avoid crushing of parts of the human body.)
- When a worker enters the danger zone, take a measure such as using Padlock Hasp (HS9Z-PH5) together so that the worker is not confined, and the machine is not started by mistake.

<When inserting the HS9Z-A5P into a part of the door>

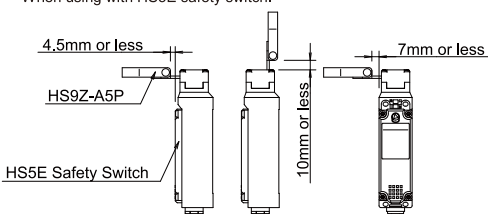


- The thickness of the door part to insert the HS9Z-A5P depends on the insertion direction as shown in the following figure. When placing a thicker object, the HS9Z-A5P cannot enter sufficiently, causing malfunction of the safety switch.

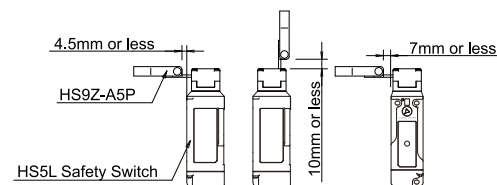
• When using with HS5D safety switch.



• When using with HS5E safety switch.



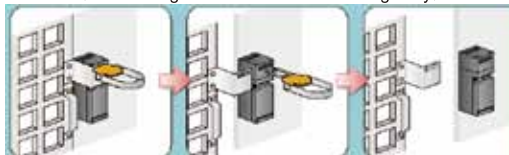
• When using with HS5L safety switch.



WARNING

- Refer to the above-mentioned standard (ISO13852 through 13854) for the safety distances and the safety gaps.
- When a worker enters the danger zone, take a measure such as using Padlock Hasp (HS9Z-PH5) together so that the worker is not confined, and the machine is not started by mistake.

<When using the HS9Z-A5P as a hostage key>



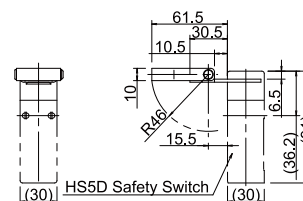
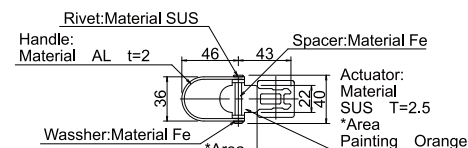
The worker brings the HS9Z-A5P.

WARNING

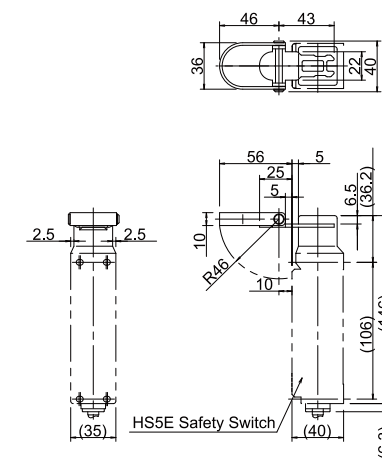
- Do not use two or more HS9Z-A5P for one safety switch.
- Keep the HS9Z-A5P with care so that the HS9Z-A5P is not inserted into other safety switches.
- When a worker enters the danger zone, take a measure such as using Padlock Hasp (HS9Z-PH5) together so that the worker is not confined, and the machine is not started by mistake.

4 Dimensions (mm)

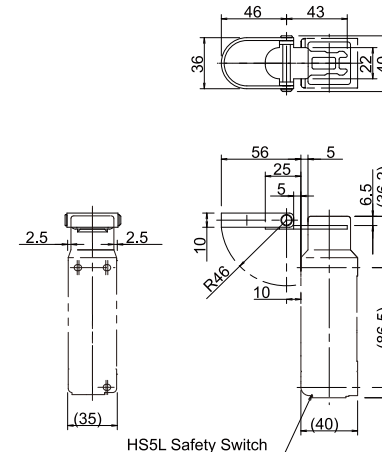
• When using with HS5D safety switch.



• When using with HS5E safety switch.



• When using with HS5L safety switch.



5 Precaution for disposal

- Dispose of the HS9Z-A5P as an industrial waste.