

## INSTRUCTION SHEET

### Padlock Hasp for HS5 Safety Switches HS5 Series

Confirm that the delivered product is what you have ordered. Read this instruction sheet to make sure of correct operation. Make sure that the instruction sheet is kept by the end user.

#### Safety Precautions

In this operation instruction sheet, safety precautions are categorized in order of importance to Warning and Caution :

#### WARNING

Warning notices are used to emphasize that improper operation may cause severe personal injury or death.

#### CAUTION

Caution notices are used where inattention might cause personal injury or damage to equipment.

#### 1 Type

HS9Z-PH5

#### 2 Specifications

Applicable model	HS5D/HS5E/HS5L safety switch
Applicable shackle diameter of padlock	φ 5.5~7.5 mm
Withstand force	30N or more
Weight (approximately)	35g

• Refer to the specifications of the HS5D/HS5E/HS5L safety switch for the specifications of the safety switch used.

#### 3 Precautions for Operation

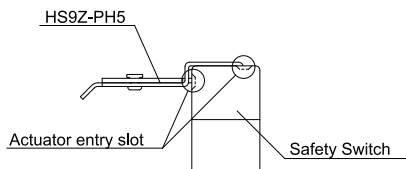
#### WARNING

• When using the HS9Z-PH5 for safety-related equipment in a control system, refer to the safety standards and regulations in each country and region depending on the application purpose of the actual machines and installations to make sure of correct operation.  
Also, perform risk assessment to make sure of safety before starting operation.

• Read the instruction sheet of the safety switch used.

• Note the projection on the HS9Z-PH5 when using to prevent injury.

• Insert the HS9Z-PH5 in the direction as shown in the following figure. Do not insert from improper direction. Also, do not use the slot plug of the safety switch.



#### WARNING

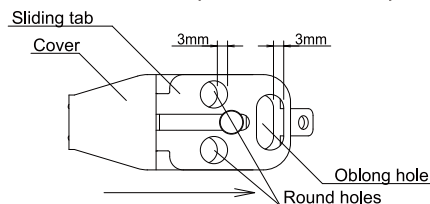
• Do not deform the HS9Z-PH5.  
The HS9Z-PH5 may come off from the safety switch even if it locks with the padlock.  
Stop using immediately when the HS9Z-PH5 is deformed.

• The shackle diameter of the applicable padlock (refer to the following figure) is φ 5.5 to 7.5 mm.

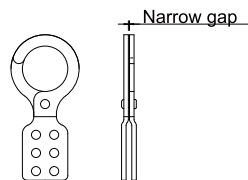


Shackle diameter

• When using a hasp or special padlock, make sure that the sliding tab does not slide 3 mm or more in the direction shown below, otherwise the HS9Z-PH5 may come off from the safety switch.



• When using a hasp such as shown below, make sure that the hasp is installed in round holes not in the oblong hole. Otherwise the sliding tab may slide 3 mm or more.  
Check periodically that the narrow gap between the jaws have not widened, so that the HS9Z-PH5 does not fall off from the hasp.



#### CAUTION

• Keep the weight of padlocks and hasps at a maximum of 1500g on one tab hole, and at a maximum of 3000g for the total of all tab holes. Using padlocks and hasps weighing over the maximum allowable weight may cause deformation of the HS9Z-PH5, and the safety switch may be damaged.

• Do not impose excessive shocks to the HS9Z-PH5 while being installed on the safety switch, otherwise failure or damage may be caused on the safety switch.

• Do not impose vibration while padlocks or hasps are installed, otherwise failure or damage may be caused on the safety switch.

• The HS9Z-PH5 is used for HS5D/HS5E/HS5L safety switch only. Do not use the HS9Z-PH5 for other products.

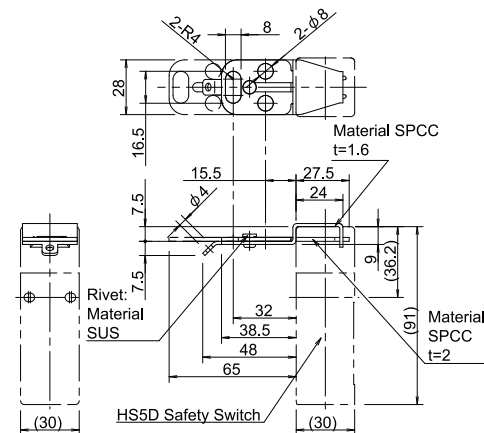
• Make sure that locking and unlocking the padlock and hasp do not interfere with other products in proximity.

• Do not ruin functions of the HS9Z-PH5 by modifying or disassembling.

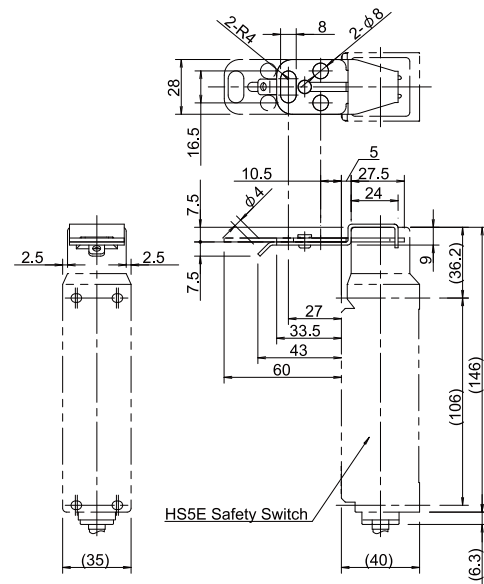
• Padlocks and hasps are available from the following manufacturers.  
Panduit Corporation (<http://www.panduit.com/>)  
Master Lock Company (<http://www.masterlock.com/>)

#### 4 Dimensions (mm)

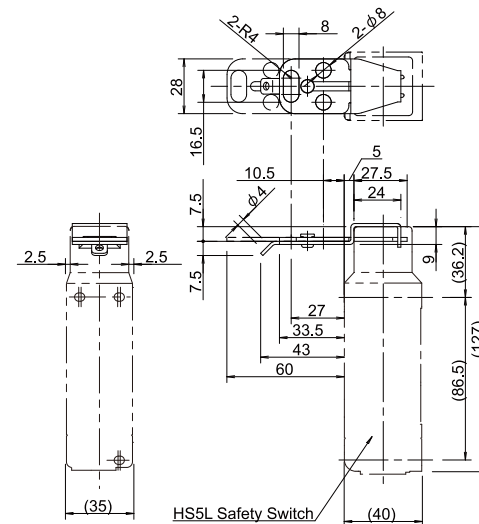
• When using with HS5D safety switch.



• When using with HS5E safety switch.



• When using with HS5L safety switch.



#### 5 Precaution for disposal

• Dispose of the HS9Z-PH5 as an industrial waste.