

INSTRUCTION SHEET

LF9Z Adjustable Support

Confirm that the delivered product is what you have ordered.
Read this instruction sheet to make sure of correct operation.
Make sure that the instruction sheet is kept by the end user.

Safety Precautions

In this operation instruction sheet, safety precautions are categorized in order of importance to Warning and Caution :

WARNING

Warning notices are used to emphasize that improper operation may cause severe personal injury or death.

CAUTION

Caution notices are used where inattention might cause personal injury or damage to equipment.

WARNING

- Read the specifications described on this sheet to make sure that the operating conditions are correct.
- Do not disassemble, repair, or modify the LF9Z adjustable support, otherwise severe accidents may result.
- Make sure that the illumination unit does not fall during transportation, installation, and operation, otherwise damage may result.

CAUTION

- Do not apply an excessive force to the LF9Z adjustable support.
- Do not leave a damaged LF9Z adjustable support unattended or use a damaged LF9Z.
- Do not use or store the LF9Z adjustable support in a place subjected to vibrations and shocks, otherwise damage may result.

1 Type

Type No.	LF9Z-1MB1	LF9Z-1MA1
Applicable LED Illumination Unit	LF1B-*□S-2□ *: except D	LF1A-*1-2□

2 Supplied Parts

Type No.	LF9Z-1MB1	LF9Z-1MA1
Adjustable Support for LF9Z	1 pair (right and left)	1 pair (right and left)
Adjustable Support Mounting Screw	M4 sems screw x 10: 4	M4 sems screw x 10: 4
Illumination Unit Mounting Screw	M4 sems screw x 8: 2	M4 sems screw x 6: 4
Angle Adjustment Screw	M3 cap sems x 6: 2	M4 cap sems x 8: 2

3 Specifications

Type No.	LF9Z-1MB1	LF9Z-1MA1
Adjustable Angle	0° to 90° (in 10° increments)	
Vibration Resistance (damage limits)	5 to 55 Hz, amplitude 0.5 mm, 20 m/s ²	
Shock Resistance (damage limits)	980 m/s ²	
Weight (approx.)	60g	110g

Note: Operating conditions are the same as the LED illumination units.

4 Installation

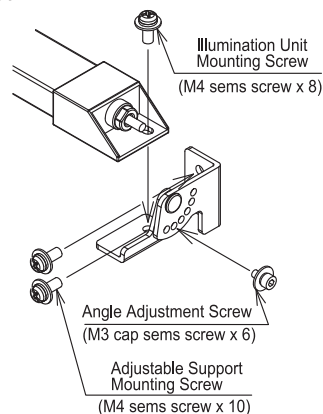
Install an LED illumination unit onto an applicable LF9Z adjustable support in the following order.

1. Install the LF9Z adjustable support onto the panel using the adjustable support mounting screws.
2. Install the LED illumination unit onto the LF9Z adjustable support by tightening illumination unit mounting screws to the torque shown below.
3. Set a required angle and lock the LED illumination unit by tightening the angle adjustment screws to the torque shown below.

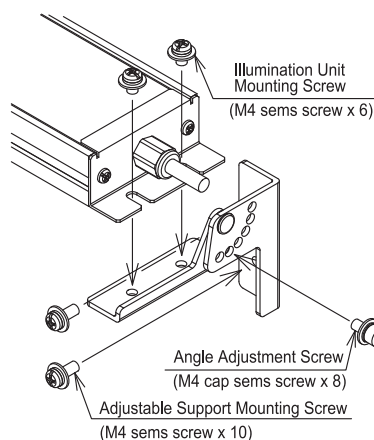
Screw Tightening Torque (N·m)

Type No.	LF9Z-1MB1	LF9Z-1MA1
Adjustable Support Mounting Screw	1.3 to 1.7	1.3 to 1.7
Illumination Unit Mounting Screw	1.0 to 1.3	1.3 to 1.7
Angle Adjustment Screw	0.6 to 1.0	1.8 to 2.2

LF9Z-1MB1

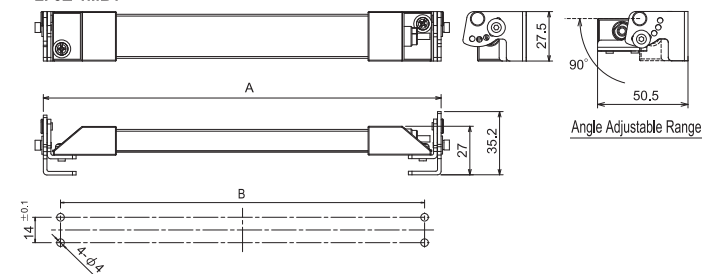


LF9Z-1MA1



5 Dimensions

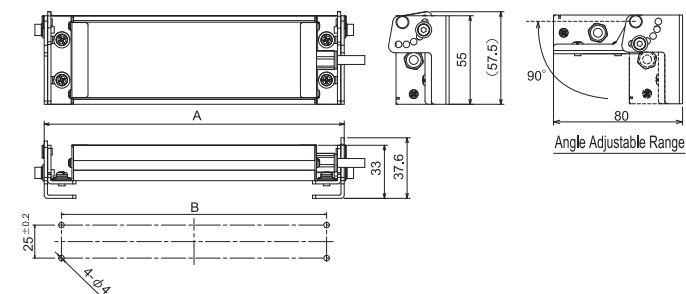
LF9Z-1MB1



Dimensions in mm

Dimension	LF1B-A	LF1B-B	LF1B-C
A	145	221	341
B	123±0.5	199±0.5	319±0.8

LF9Z-1MA1



Dimensions in mm

Dimension	LF1A-A	LF1A-B	LF1A-D
A	126	186	306
B	108±0.5	168±0.5	288±0.8

EU Authorized Representative: APEM SAS
55, Avenue Edouard Herriot BP1, 82303 Caussade Cedex, France
UK Authorized Representative: APEM COMPONENTS LIMITED
Drakes Drive, Long Crendon, Buckinghamshire, HP18 9BA, UK
Manufacturer: IDEC CORPORATION
2-6-64, Nishimiyahara, Yodogawa-ku, Osaka, Japan

IDEC CORPORATION