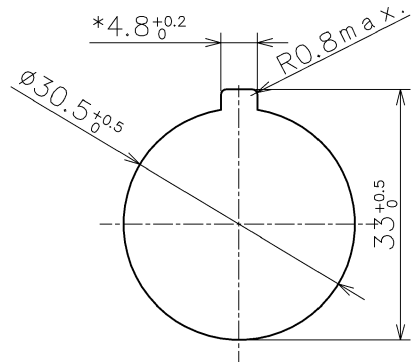
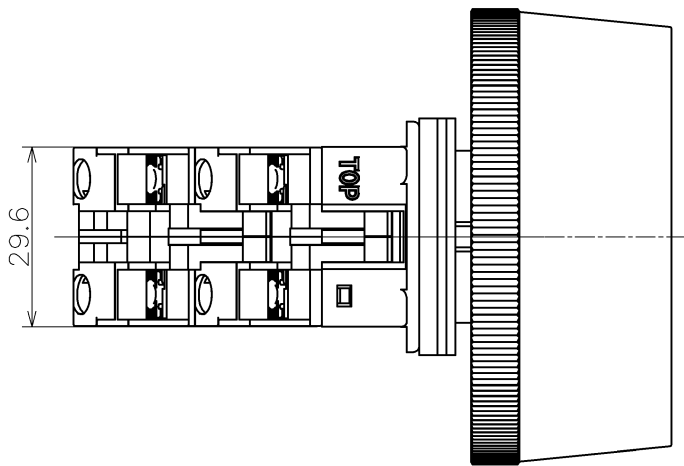


□□ (Contact arrangement) : 1a (10) , 1b (01) , 1a-1b (11) ,
 2a (20) , 2b (02) , 3a (30) , 3b (03) ,
 2a-1b (21) , 1a-2b (12) ,
 2a-2b (22) , 4a (40) , 4b (04) ,
 3a-1b (31) , 1a-3b (13)

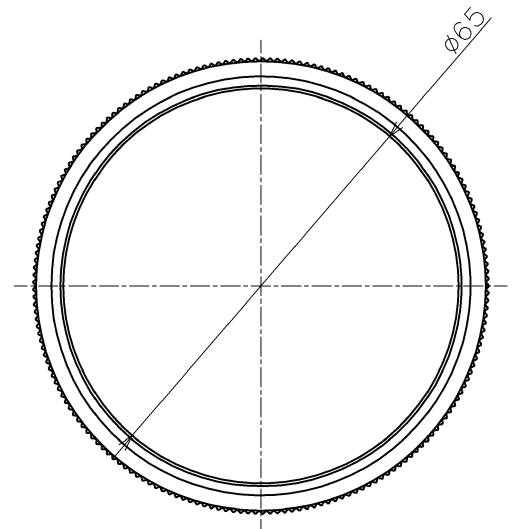
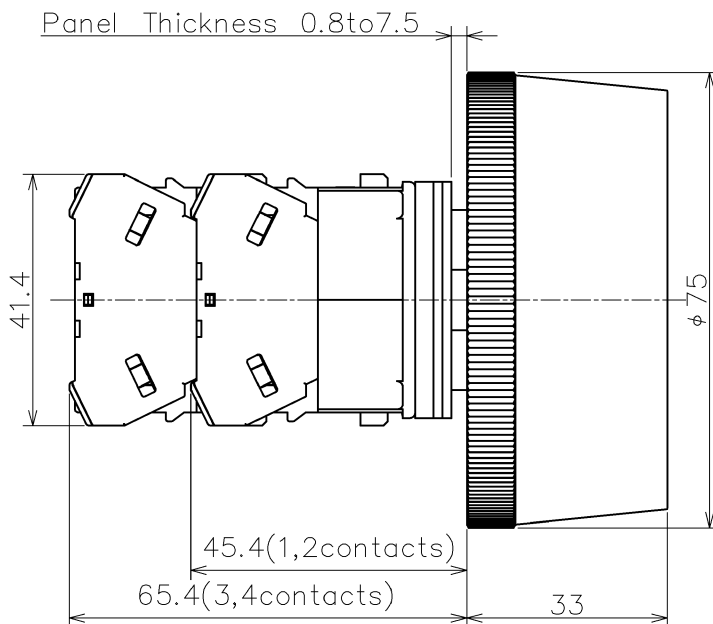
* (Button color) : B (Black) , G (Green) , R (Red) , Y (Yellow)

Terminal style : M3.5 terminal screw



PANEL CUT-OUT

*THE 4.8^{+0.2} RECESS IS NOT NECESSARY WHEN NEITHER NAMEPLATE NOR ANTI-ROTATION RING IS USED.



S=0.8

Product Name: TWN SERIES PUSHBUTTON SWITCHES

Type Number: ABN4F□□*

Approved by	T.SAKAI	MAY.9,2017
Checked by	H.OKAMURA	MAY.9,2017
Drawn by	T.MATSUMOTO	MAY.9,2017

Dim.: mm

Outside View

Drawing No. MA4-A05125