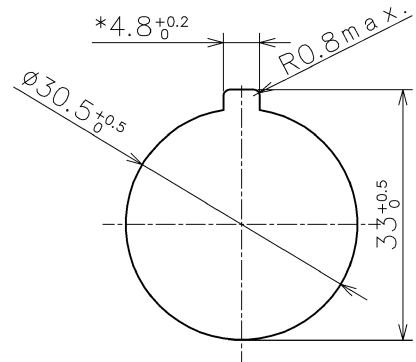


□□ (Contact arrangement) : 1a (10), 1b (01), 1a-1b (11),
 2a (20), 2b (02), 3a (30), 3b (03),
 2a-1b (21), 1a-2b (12),
 2a-2b (22), 4a (40), 4b (04),
 3a-1b (31), 1a-3b (13)

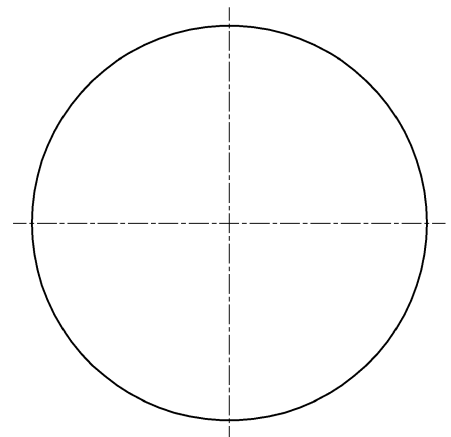
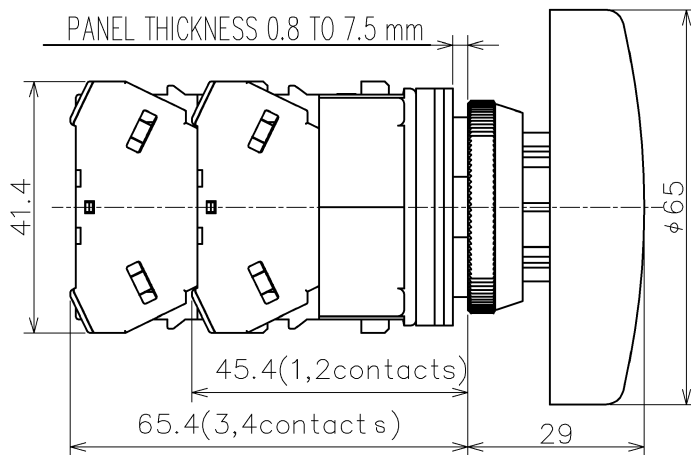
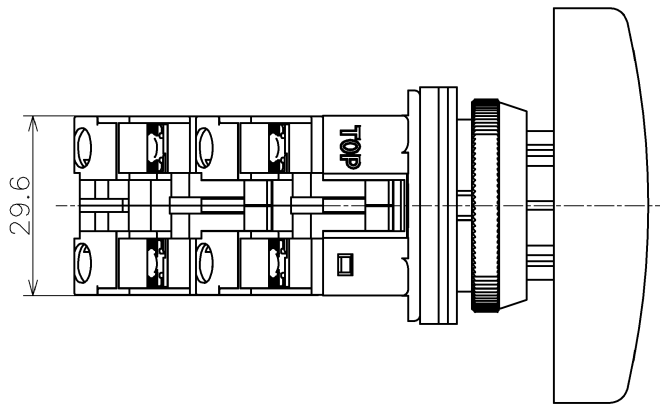
* (Button color) : Black (B), Green (G), Red (R), Yellow (Y)

Terminal style : M3.5 terminal screw



PANEL CUT-OUT

*THE 4.8^{±0.2} RECESS IS NOT NECESSARY WHEN NEITHER NAMEPLATE NOR ANTI-ROTATION RING IS USED.



S=4/5

			Product Name: TWN SERIES PUSHBUTTON SWITCHES	
			Type Number: ABN4□□*	
Approved by	S. TAKAHASHI	JAN.10,2017	Dim.: mm	Outside View
Checked by	H. OKAMURA	JAN.10,2017	Drawing No. MA4-A05044	
Drawn by	T. MATSUMOTO	JAN.10,2017		