

Contact arrangement (□□) : 1 a (10), 1 b (01), 1 a-1 b (11),

2 a (20), 2 b (02), 3 a (30), 3 b (03),

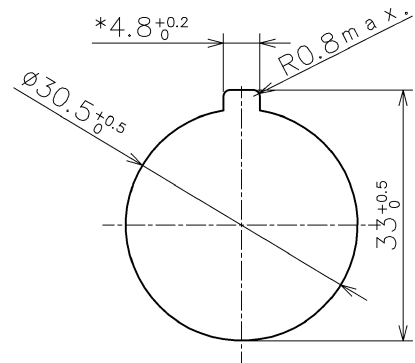
2 a-1 b (21), 1 a-2 b (12),

2 a-2 b (22), 4 a (40), 4 b (04),

3 a-1 b (31), 1 a-3 b (13)

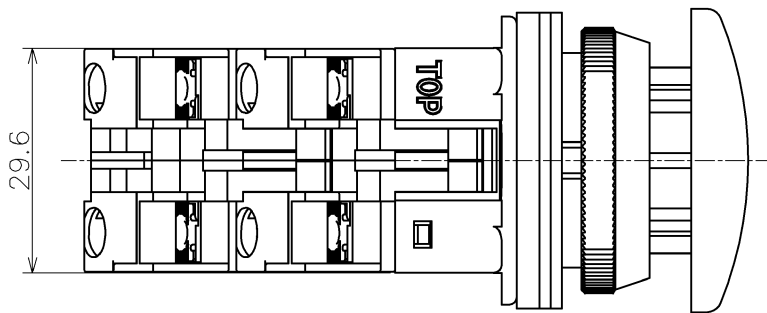
Button color (※) : Black (B), Green (G), Red (R), Yellow (Y), Blue (S), White (W)

Terminal style : M3.5 terminal screw

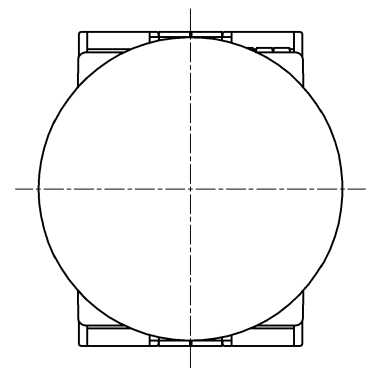
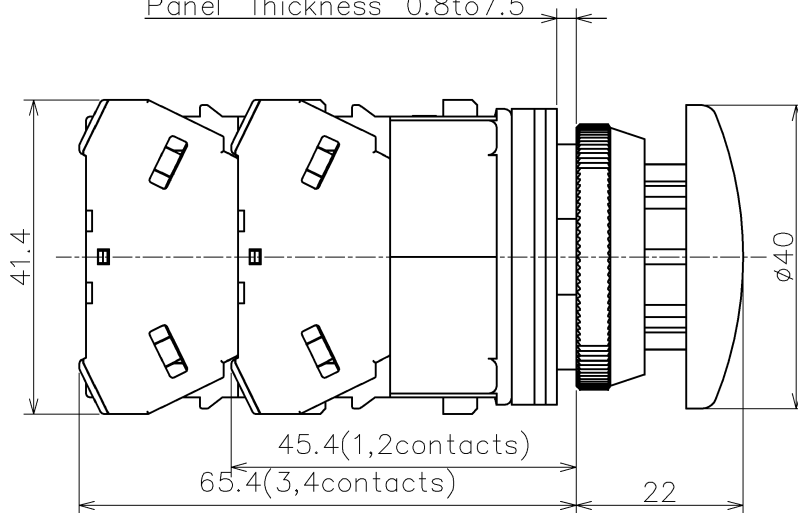


PANEL CUT-OUT

*The 4.8^{+0.2} recess is not necessary when neither nameplate nor anti-rotation ring is used.



Panel Thickness 0.8 to 7.5



Product Name: TWN SERIES PUSHBUTTON SWITCHES

Type Number: ABN3/AON3□□※

Approved by	T.Sakai	JUL.10,2019
Checked by	T.Minami	JUL.10,2019
Drawn by	T.Matsumoto	JUL.10,2019

Dim.: mm

Outside View

Drawing No. MA4-A05589